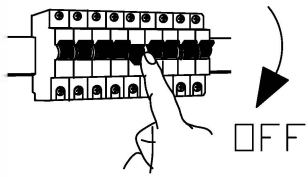
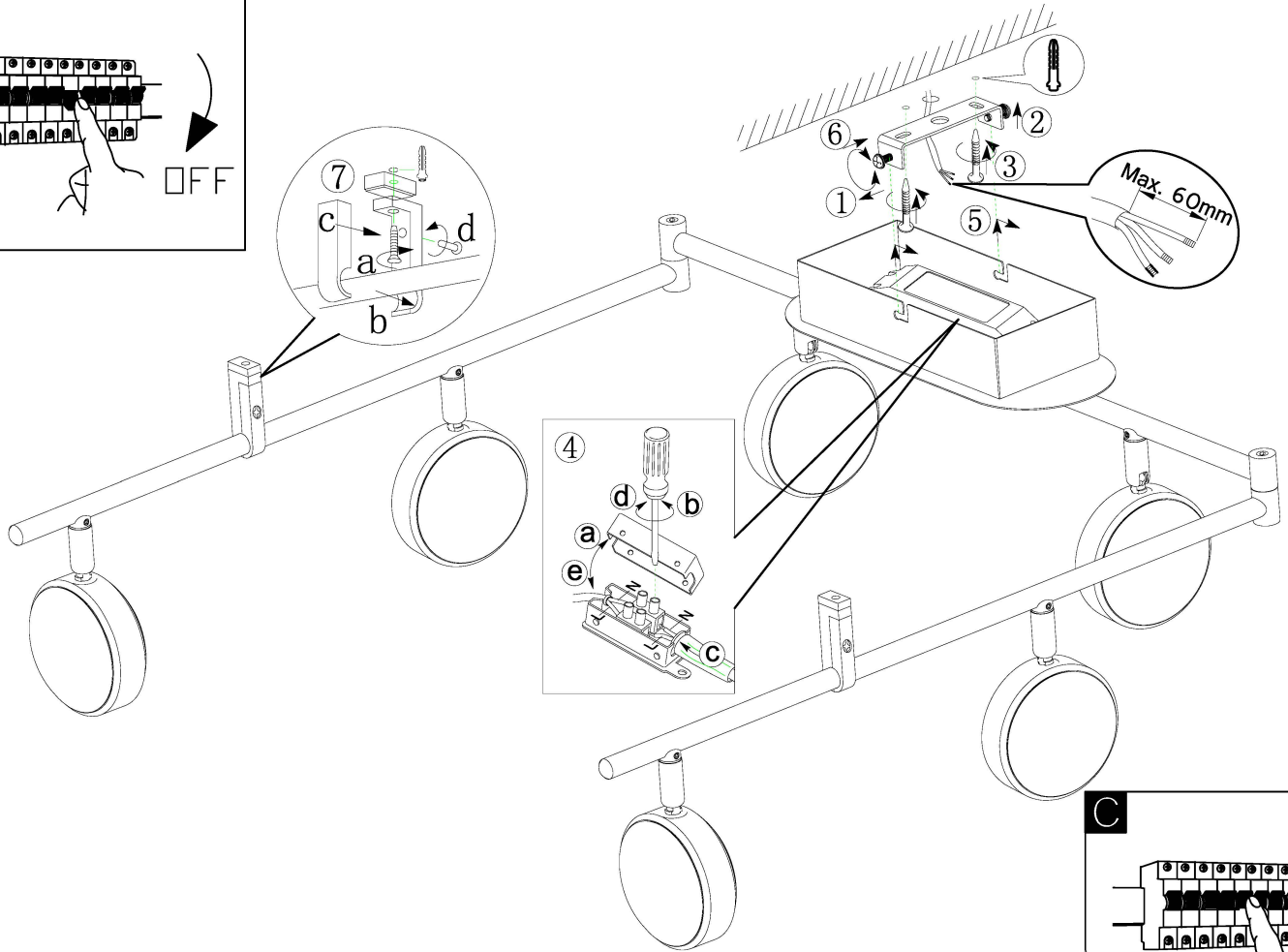
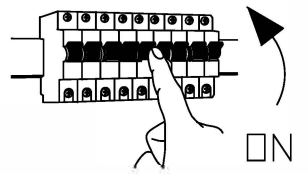


**A****B****C**

www.eglo.com

BLA95633